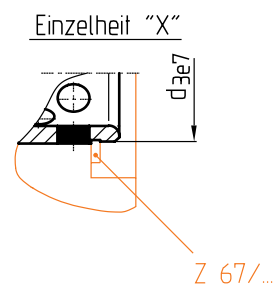
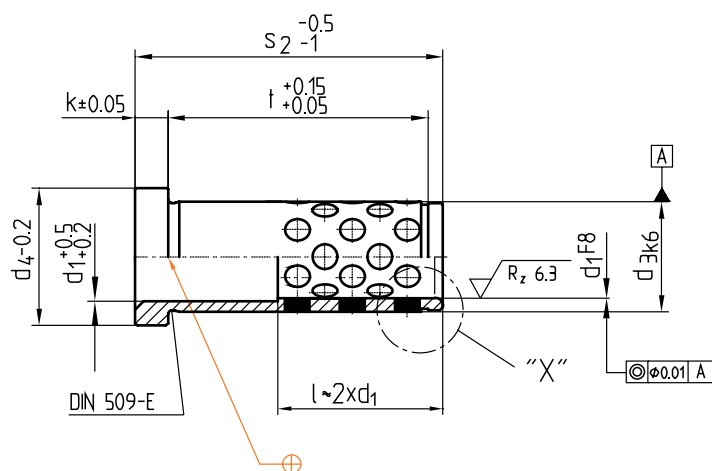
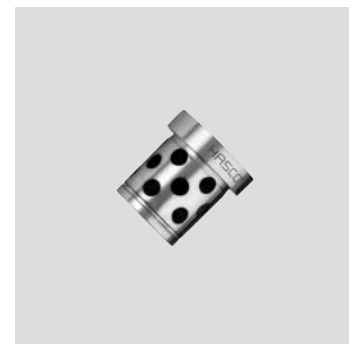


Z 11W/...

Mat.: 2.0975



| Z 67/... | max. °C | t | d ₃ | d ₄ | k | S ₂ | d ₁ | Ø | Nr./No. | Ø | Nr./No. |
|---------------|---------|------|----------------|----------------|---|----------------|----------------|----|-------------|----|-------------|
| Z 67/14 x 1 | 200 | 6,6 | 14 | 16 | 3 | 12 | 9 | 9 | Z 11W/12/ 9 | 10 | Z 11W/12/10 |
| | | 11,6 | | | | 17 | | | 17 | | |
| | | 16,6 | | | | 22 | | | 22 | | |
| | | 21,6 | | | | 27 | | | 27 | | |
| | | 30,6 | | | | 36 | | | 36 | | |
| | | 40,6 | | | | 46 | | | 46 | | |
| | | 50,6 | | | | 56 | | | 56 | | |
| Z 67/18 x 1,2 | 200 | 8,3 | 18 | 23 | 6 | 17 | 12 | 12 | Z 11W/17/12 | 15 | Z 11W/17/15 |
| | | 13,3 | | | | 22 | | | 22 | | |
| | | 18,3 | | | | 27 | | | 27 | | |
| | | 27,3 | | | | 36 | | | 36 | | |
| | | 37,3 | | | | 46 | | | 46 | | |
| | | 47,3 | | | | 56 | | | 56 | | |
| Z 67/20 x 1,2 | 200 | 8,3 | 20 | 25 | 6 | 17 | 14 | 14 | Z 11W/17/14 | 20 | Z 11W/17/20 |
| | | 13,3 | | | | 22 | | | 22 | | |
| | | 18,3 | | | | 27 | | | 27 | | |
| | | 27,3 | | | | 36 | | | 36 | | |
| | | 37,3 | | | | 46 | | | 46 | | |
| Z 67/22 x 1,2 | 200 | 13,3 | 22 | 27 | 6 | 22 | 16 | 16 | Z 11W/22/16 | 25 | Z 11W/17/25 |
| | | 18,3 | | | | 27 | | | 27 | | |
| | | 27,3 | | | | 36 | | | 36 | | |
| | | 37,3 | | | | 46 | | | 46 | | |
| Z 67/26 x 1,2 | 200 | 8,3 | 26 | 31 | 6 | 17 | 18 | 18 | Z 11W/17/18 | 25 | Z 11W/17/25 |
| | | 13,3 | | | | 22 | | | 22 | | |
| | | 18,3 | | | | 27 | | | 27 | | |
| | | 27,3 | | | | 36 | | | 36 | | |
| | | 37,3 | | | | 46 | | | 46 | | |
| | | 47,3 | | | | 56 | | | 56 | | |
| | | 57,3 | | | | 66 | | | 66 | | |
| | | 67,3 | | | | 76 | | | 76 | | |

This is trial version
www.adultpdf.com

